



SINKS

FOUR COMPARTMENT ONE DRAINBOARD

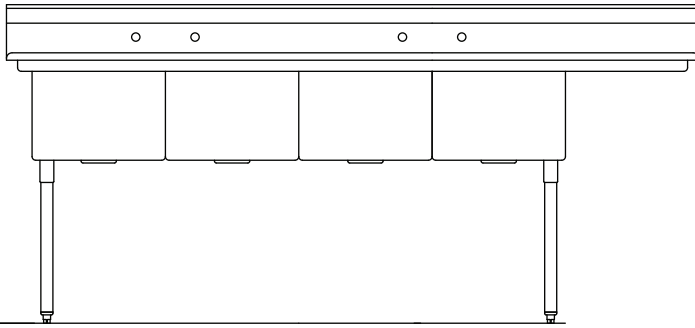


Item #:

Qty #:

Model #:

Project #:



SINK FEATURES:

Fully fabricated bowl for the full metal thickness throughout the bowl and greater durability than a drawn sink

9" high backsplash, with 2" return to wall at 45 degrees with easy installation tile edging

2 1/2 high. 180 degree sanitary rolled rim at all free edges

Leg assemblies located directly under the sink bowls for greater load support

Legs are 1 5/8" diameter tubing with adjustable bullet feet

All corners are covered at 5/8" radius, welded and polished to form a one-piece sanitary unit

All sinks are furnished with basket drains and 1" faucet holes punched in backsplash on 8" centers as required

Sinks with drainboards 30" and longer have additional legs under each drainboard for added strength

SINK OPTIONS:

PARAMOUNT SERIES

- 14 Gauge type 304 stainless steel
- 12" bowl depth
- Stainless steel legs & crossrails
- NSF listed

STANDARD SERIES

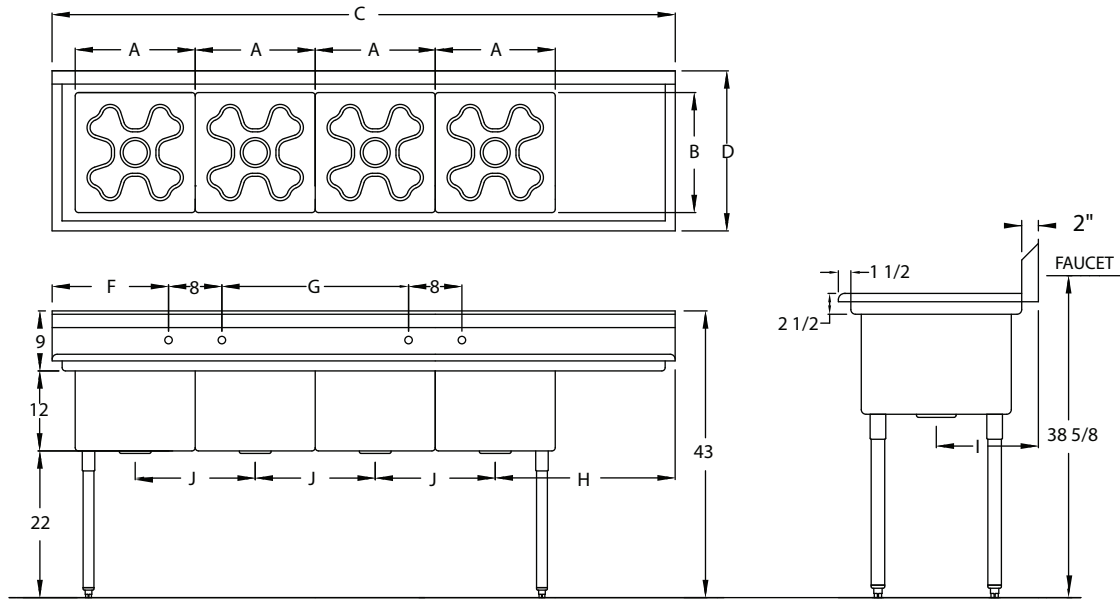
- 16 gauge type 304 stainless steel
- 12" bowl depth
- Galvanized legs (stainless steel available)
- NSF listed

ECONOMY SERIES

- 18 gauge 304 tubs
- 12" bowl depth
- Galvanized legs (stainless steel available)
- NSF listed

DIMENSIONS		PARAMOUNT		STANDARD		ECONOMY	
BOWL SIZE	D/B SIZE	MODEL NO.	WT.	MODEL NO.	WT.	MODEL NO.	WT.
18 X 18	18"	RJ-P-4-1818-18 L or R	175	RJ-S-4-1818-18 L or R	150	N/A	N/A
	24"	RJ-P-4-1818-24 L or R	181	RJ-S-4-1818-24 L or R	156	N/A	N/A
	30"	RJ-P-4-1818-30 L or R	187	RJ-S-4-1818-30 L or R	162	N/A	N/A
18 X 24	18"	RJ-P-4-1824-18 L or R	212	RJ-S-4-1824-18 L or R	179	N/A	N/A
	24"	RJ-P-4-1824-24 L or R	217	RJ-S-4-1824-24 L or R	186	N/A	N/A
	30"	RJ-P-4-1824-30 L or R	221	RJ-S-4-1824-30 L or R	192	N/A	N/A
20 X 20	20"	RJ-P-4-2020-20 L or R	215	RJ-S-4-2020-20 L or R	195	N/A	N/A
	24"	RJ-P-4-2020-24 L or R	220	RJ-S-4-2020-24 L or R	203	N/A	N/A
	30"	RJ-P-4-2020-30 L or R	226	RJ-S-4-2020-30 L or R	211	N/A	N/A
20 X 28	20"	RJ-P-4-2020-20 L or R	262	RJ-S-4-2020-20 L or R	210	N/A	N/A
	24"	RJ-P-4-2020-24 L or R	268	RJ-S-4-2020-24 L or R	217	N/A	N/A
	30"	RJ-P-4-2020-30 L or R	274	RJ-S-4-2020-30 L or R	221	N/A	N/A
24 X 24	24"	RJ-P-4-2424-24 L or R	265	RJ-S-4-2424-24 L or R	218	N/A	N/A
	30"	RJ-P-4-2424-30 L or R	270	RJ-S-4-2424-30 L or R	225	N/A	N/A
	36"	RJ-P-4-2424-36 L or R	274	RJ-S-4-2424-36 L or R	233	N/A	N/A
24 X 30	24"	RJ-P-4-2430-24 L or R	298	RJ-S-4-2430-24 L or R	260	N/A	N/A
	30"	RJ-P-4-2430-30 L or R	305	RJ-S-4-2430-30 L or R	269	N/A	N/A
	36"	RJ-P-4-2430-36 L or R	315	RJ-S-4-2430-36 L or R	278	N/A	N/A

DIMENSIONS & SPECIFICATIONS



DIMENSIONS ARE TYPICAL (TOL. +/- 1/2")

MODEL	A	B	C	D	E	F	G	H	I	J
RJ-4-1818-18 R or L	18	18	93 1/2	24	18	17 1/2	28	27	12 1/4	18
RJ-4-1818-24 R or L	18	18	99 1/2	24	24	17 1/2	28	33	12 1/4	18
RJ-4-1818-30 R or L	18	18	105 1/2	24	30	17 1/2	28	39	12 1/4	18
RJ-4-1824-18 R or L	18	24	93 1/2	30	18	17 1/2	28	27	15 1/4	18
RJ-4-1824-24 R or L	18	24	99 1/2	30	24	17 1/2	28	33	15 1/4	18
RJ-4-1824-30 R or L	18	24	105 1/2	30	30	17 1/2	28	39	15 1/4	18
RJ-4-2020-20 R or L	20	20	103 1/2	26	20	19 1/2	32	30	13 1/4	20
RJ-4-2020-24 R or L	20	20	107 1/2	26	24	19 1/2	32	34	13 1/4	20
RJ-4-2020-30 R or L	20	20	113 1/2	26	30	19 1/2	32	40	13 1/4	20
RJ-4-2028-30 R or L	20	28	103 1/2	34	20	19 1/2	32	30	17 1/4	20
RJ-4-2028-24 R or L	20	28	107 1/2	34	24	19 1/2	32	34	17 1/4	20
RJ-4-2028-30 R or L	20	28	113 1/2	34	30	19 1/2	32	40	17 1/4	20
RJ-4-2424-24 R or L	24	24	123 1/2	30	24	23 1/2	40	36	15 1/4	24
RJ-4-2424-30 R or L	24	24	129 1/2	30	30	23 1/2	40	42	15 1/4	24
RJ-4-2424-36 R or L	24	24	135 1/2	30	36	23 1/2	40	48	15 1/4	24
RJ-4-2430-24 R or L	24	30	123 1/2	36	24	23 1/2	40	36	18 1/4	24
RJ-4-2430-30 R or L	24	30	129 1/2	36	30	23 1/2	40	42	18 1/4	24
RJ-4-2420-36 R or L	24	30	135 1/2	36	36	23 1/2	40	48	18 1/4	24



RJ Fabricators reserves the right to progressively alter our product specifications to maintain our premium quality.